



HOMAC PRODUCTS LIMITED

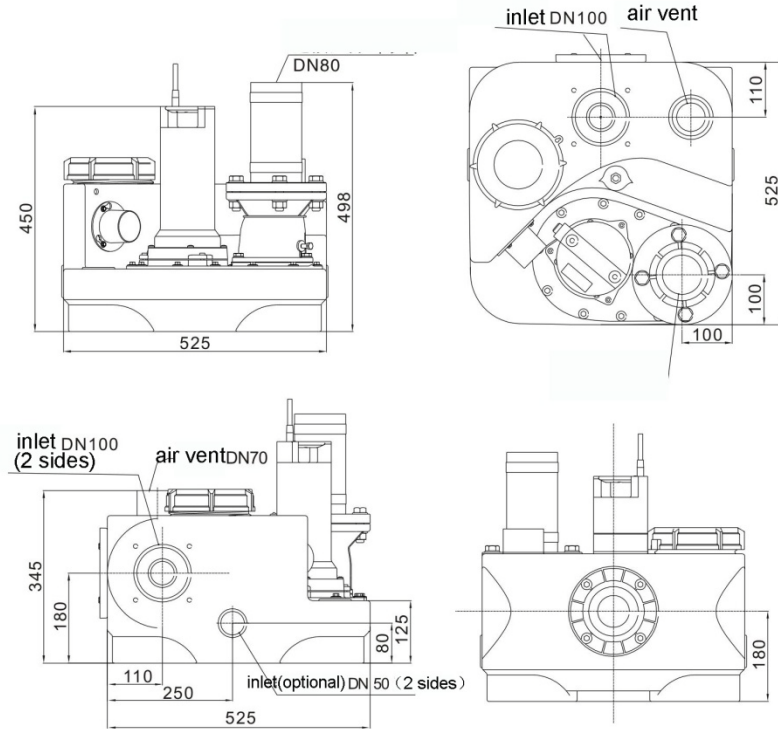
(Ningbo Jiangbei Hongjie Mechanical & Electrical Co.,Ltd)

Install a bathroom anywhere you want

Homac 1400

HOMAC 1400

TECHNICAL



pumping head (m)		1	2	3	4	5	6	7	8	9	10	11	12	13	14	15	16	17	18	19	20	22	24	26	28	30	32	
flow rate Q (m³/h)	HOMAC 1400	37	35	33	29	26	24	20	17	15	13	10	5															

	HOMAC 1400
thermal protection (°C)	150
voltage (V)	220
electricity (A)	6.4
hertz (Hz)	50
insulation grade	F
RPM (r/min)	2800
power (kW)	1.4
pumping head (m)	13
flow rate (m³/h)	40
pump materials	stainless steel
过流直径 (mm)	50
start-up frequency (次/h)	60
capacity (L)	55
tank materials	HDPE
thickness (mm)	8-10
inlet size (mm)	DN100
air vent size (mm)	DN75
switch	float switch
inlet height (mm)	180
outlet size (mm)	φ90
size (mm)	525x525x450
weight (kg)	35